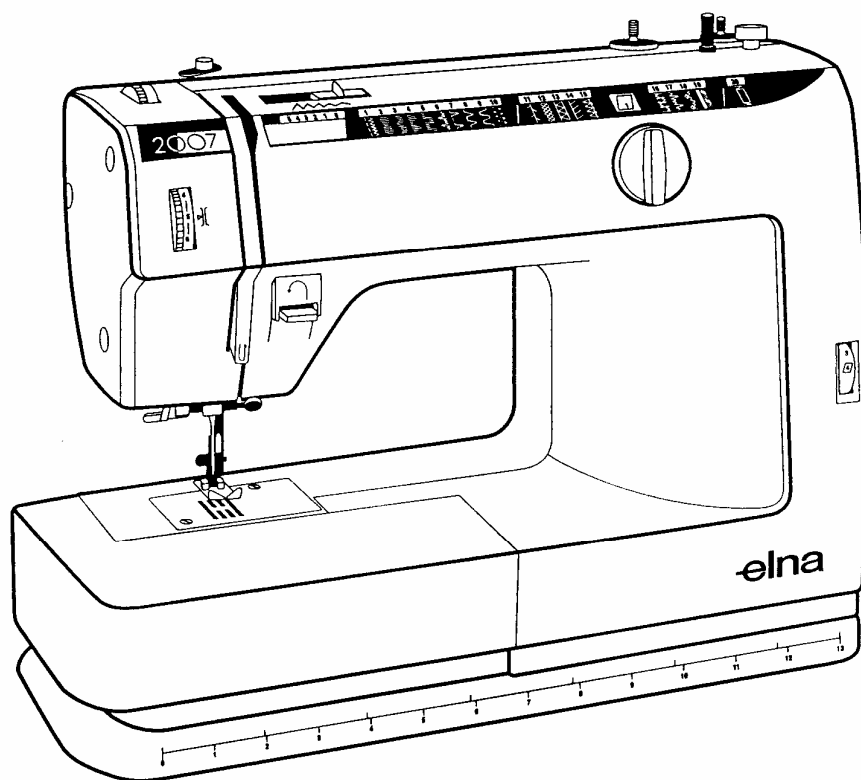


elna

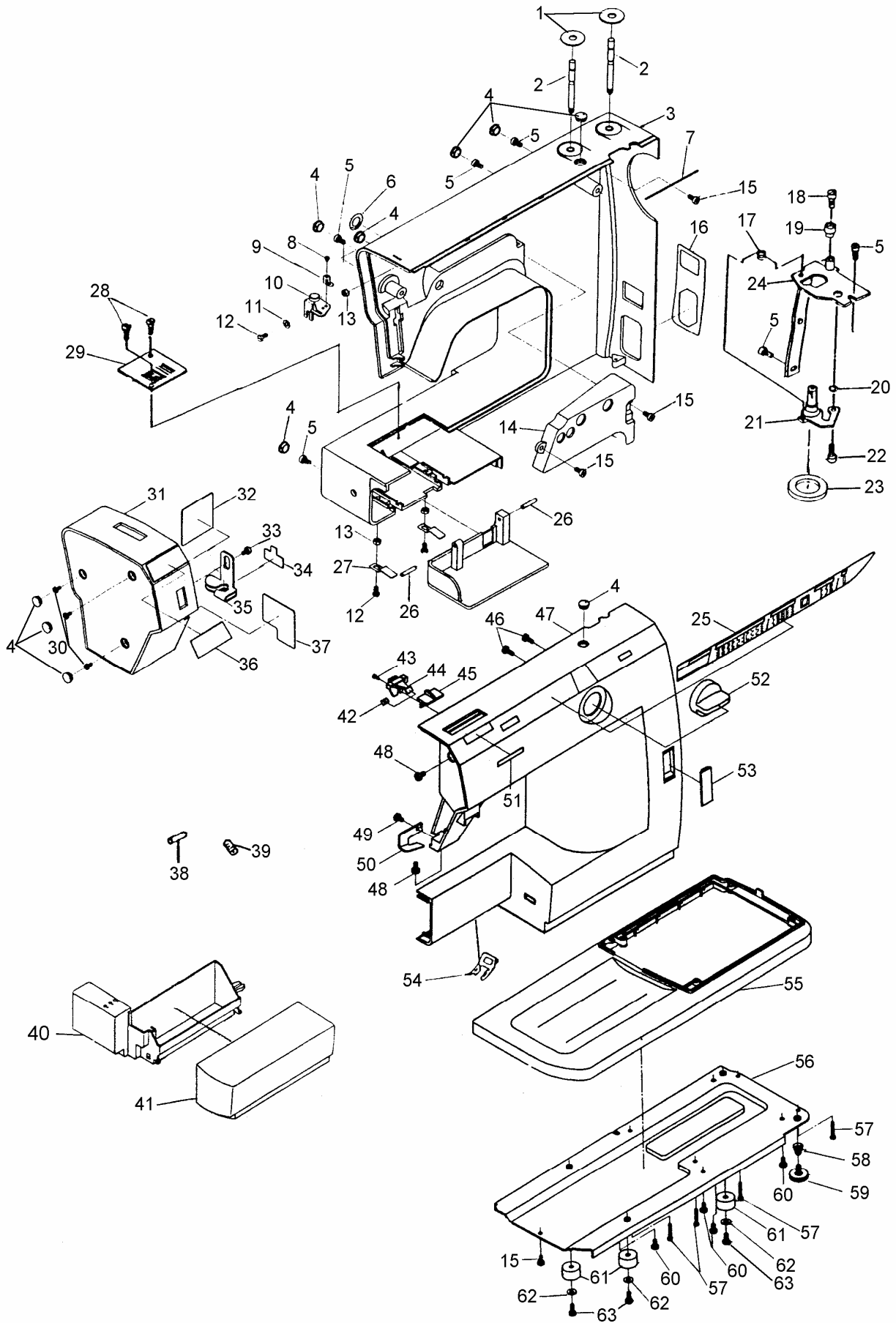
2003 / 2005 / 2007



PIECES DE RECHANGE
ERSATZTEILE
SPARE PARTS
PIEZAS DE RECAMBIO

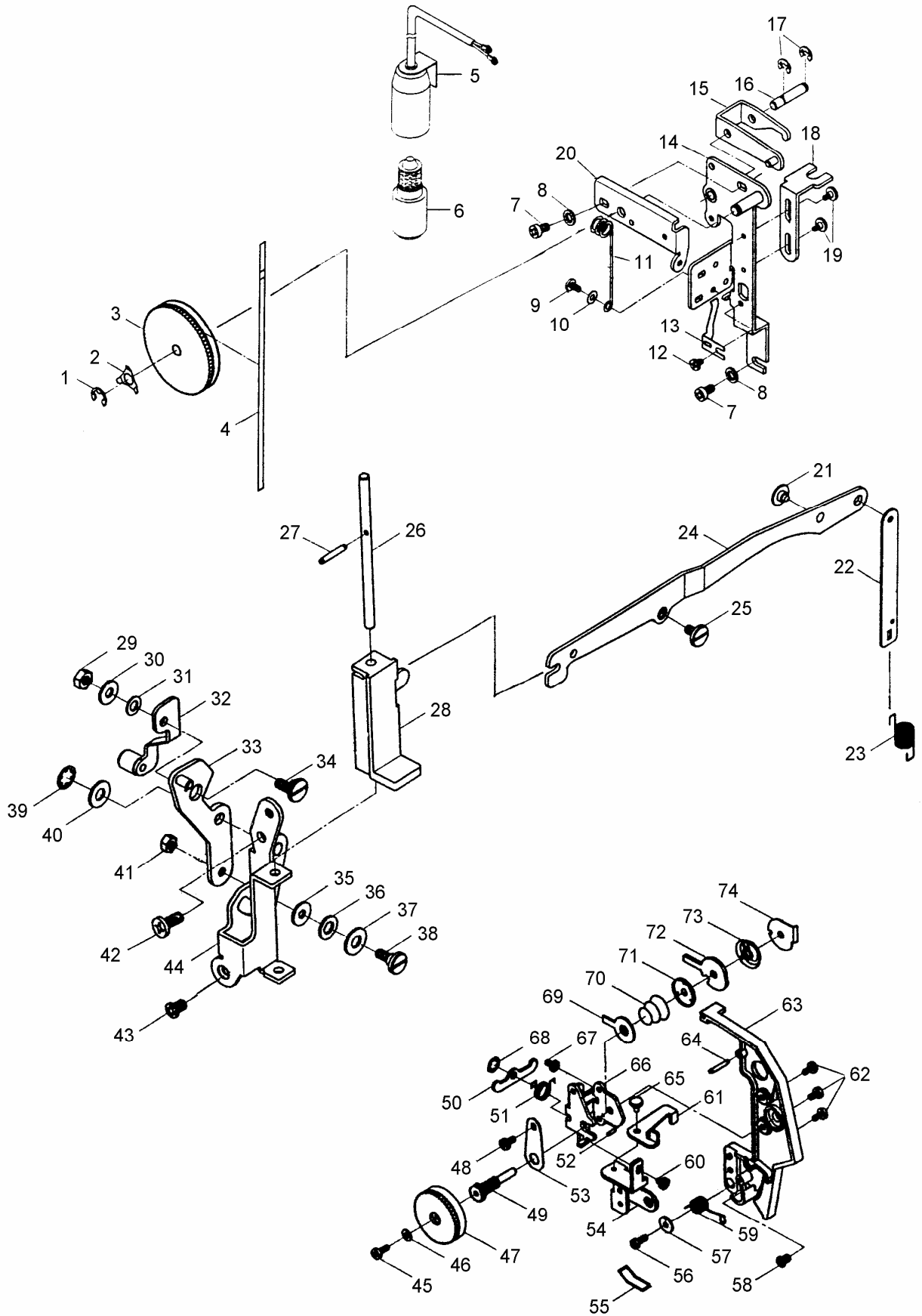
INDEX

Front and Rear cover Face plate and Base plate Needle plate – Bobbin winder and Accessory box	1 – 1
Upper shaft – Hand wheel Needle and Pressure bar Auto-threader – presser bar lever Take-up lever complete	2 – 2
Lamp socket – Bulb – Upper tension Pressure dial cam – R. button	3 – 3
Motor – Timing belt – Select stitch dial Switch – Socket base - Stitch length indicator	4 – 4
<u>2003</u> Motor – Timing belt – Select stitch dial Switch – Socket base - Stitch length indicator	5 – 5
<u>2003</u> Zigzag and stitch mechanism	6 – 6
Zigzag and stitch mechanism	7 – 7
Feed dog – Feed dog shaft - Lower shaft - Hook – Gear	8 – 8
Accessory	9 – 9

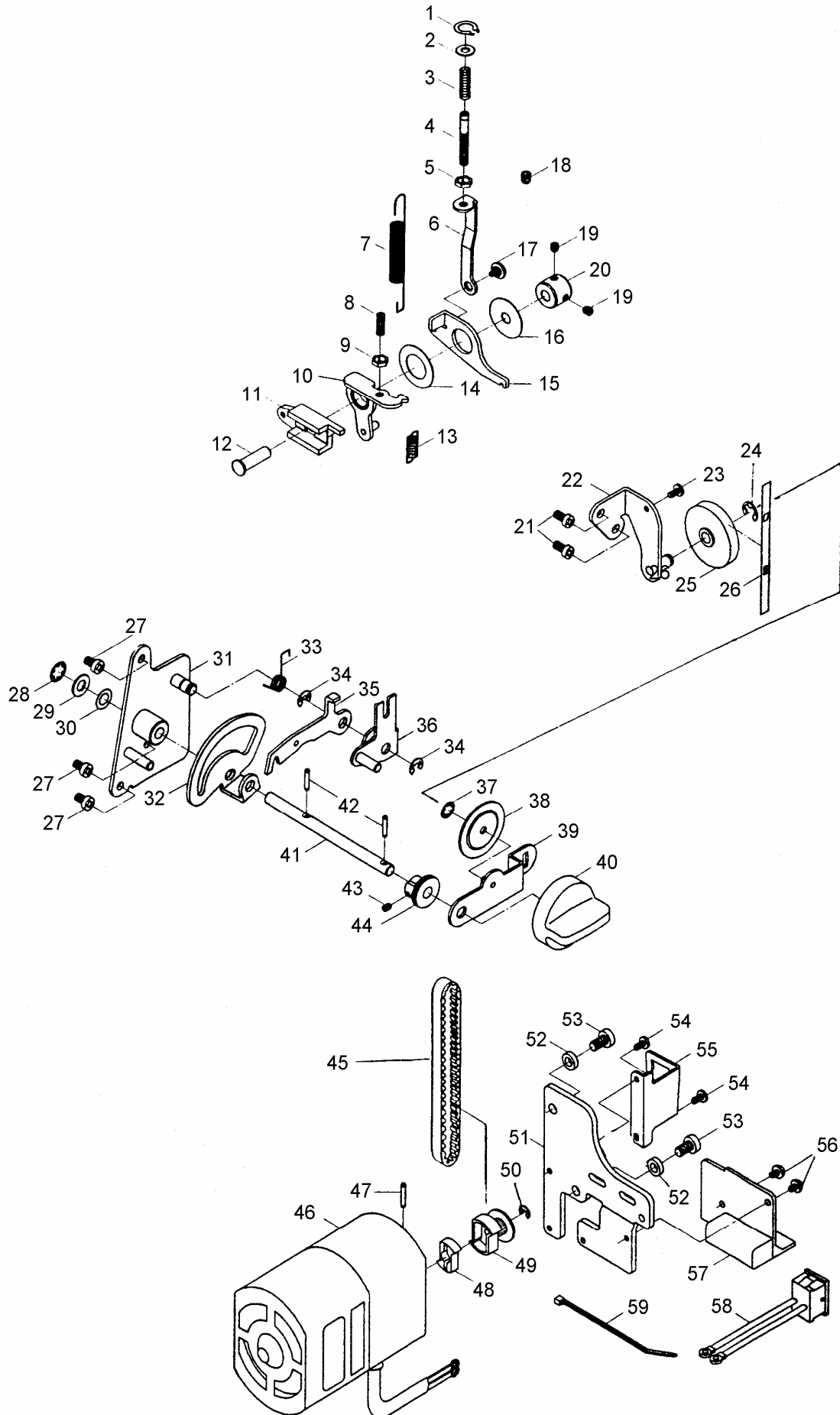


01	395628-00	FELT
02	395620-06	SPOOL PIN
03a	395628-01	REAR COVER 2005/2007
03b	395628-02	REAR COVER 2003
04	395625-18	ADJUSTING HOLE PLUG
05	395620-21	SET SCREW
06	395628-03	STICKER
07	395628-04	SPRING
08	395627-28	SET SCREW
09	395628-06	THREAD GUIDE SPRING
10	395628-07	THREAD GUIDE SET
11	395620-20	WASHER
12	395620-12	SET SCREW
13	395620-45	NUT
14	395628-08	HANDLE COVER
15	395620-47	SET SCREW
16	395628-09	SOCKET PANEL
17	395623-51	BOBBIN WINDER SPRING
18	395622-87	SET SCREW
19	395620-08	BOBBIN WINDER STOPPER
20	395622-95	WASHER 5.1X18 t=0.5
21	395622-89	BOBBIN WINDER COMP
22	395622-90	HINGED SCREW 8 2.65
23	395623-01	RUBBER RING
24	395623-52	BOBBIN WINDER SUPP. PLATE
25a	395628-10	PATTERN PANEL
25b	395628-11	PATTERN PANEL
25c	395628-12	PATTERN PANEL
26	395620-43	SPRING PIN 3X18
27	395623-47	COVER SPRING PLATE
28	395620-53	SET SCREW
29	395628-13	NEEDLE PLATE
30	395625-31	SCREW
31	395628-14	FACE PLATE
32	395628-15	FACE PLATE SHIELD
33	395628-16	SET SCREW
34	395628-17	REFLECTION PLATE
35	395628-18	THREAD CUTTER
36a	395628-19	FACE PLATE PANEL
36b	395628-20	FACE PLATE PANEL
36c	395628-21	FACE PLATE PANEL
37	395625-32	FACE PLATE SHIELD
38	395623-57	LEAD SHAFT
39	395621-00	SET SCREW
40	395628-22	EXTENSION TABLE
41	395628-23	EXTENSION TABLE COVER
42	395628-24	ZIGZAG INDIC. STICKER
43	395628-25	SET SCREW
44	395628-26	ZIGZAG CONTR. PLATE
45	395628-27	ZIGZAG WIDTH DIAL
46	395625-23	SET SCREW
47a	395628-28	FRONT COVER 2005/2007
47b	395628-40	FRONT COVER 2003
48	395623-12	SET SCREW
49	395628-16	SET SCREW
50	395628-29	THREAD GUIDE PLATE
51	395628-30	ZZ WIDTH INDIC. STICKER
52	395628-31	SELECT/STITCH DIAL
53	395628-32	STITCH LENGTH PANEL
54	395623-65	PANEL FIXATION
55	395628-33	BASE
56	395628-34	BOTTOM COVER
57	395628-35	SET SCREW
58	395628-36	SPRING
59	395628-37	ADJUSTING FOOT
60	395623-12	SET SCREW
61	395628-38	RUBBER FOOT
62	395622-14	WASHER
63	395628-39	SET SCREW

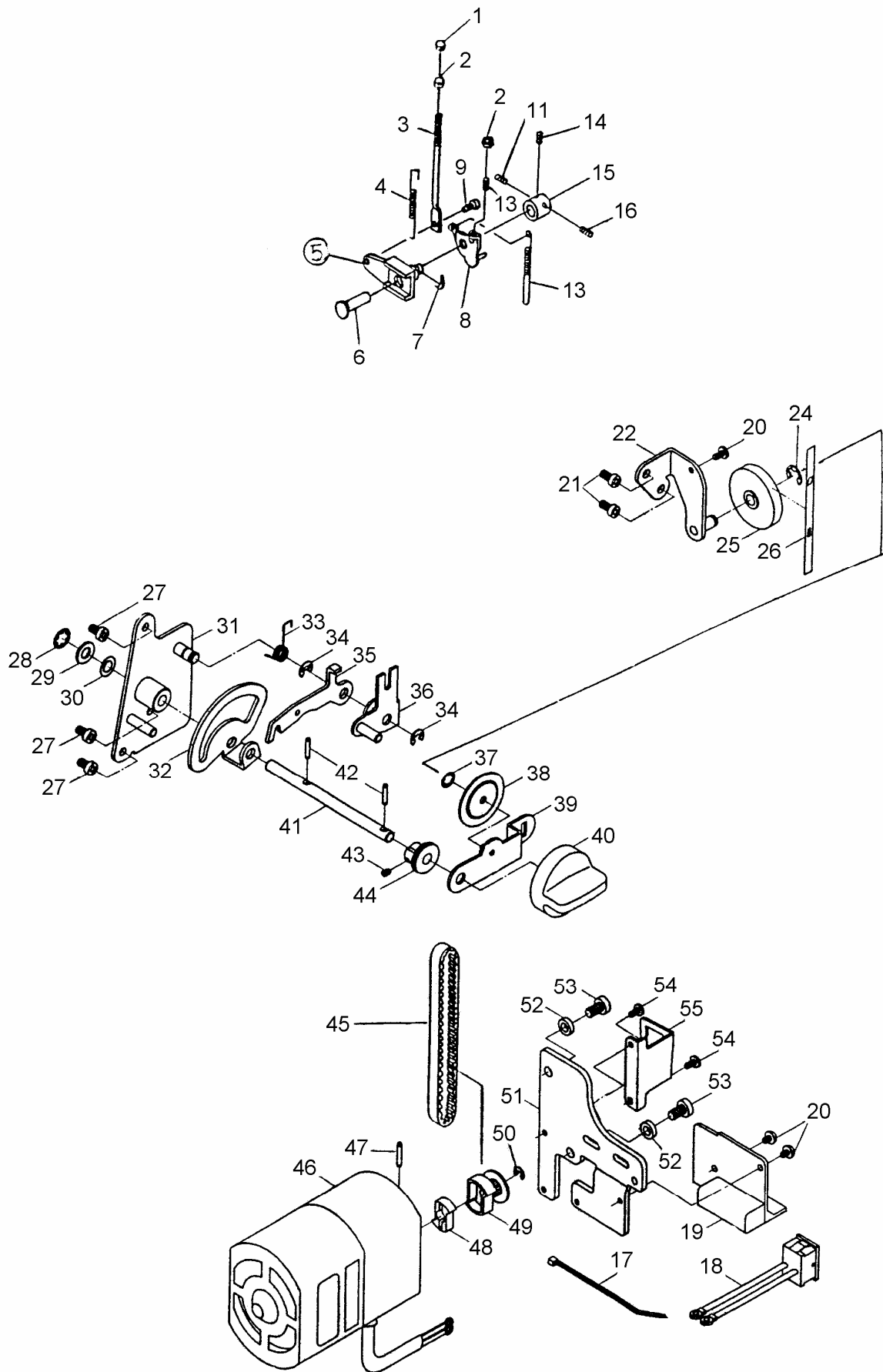
01	395620-21	SET SCREW	70	395621-30	SET SCREW
02	395623-76	FORNT BUSHING BRACKE	71	395628-68	NEEDLE BAR LIMIT PLATE
03	395628-41	TAKE-UP LEVER SHAFT	72	395628-69	B/H BUTTON
04	395620-87	SPRING PIN 4x20	73	395628-70	SPRING PIN
05	395620-89	SET SCREW	74	395622-36	SNAP RING 6D
06	395620-88	SET SCREW	75	395621-34	SPRING
07	395623-71	FRONT BUSHING	76	395621-35	WASHER
08	395620-93	NYLON WASHER	77	395628-71	PRESSURE BAR SPRING
09	395625-45	COLLAR	78	395621-33	GUIDE BRACKET
10	395620-95	SET SCREW	79	395621-31	PRESSER BAR
11	395623-75	UPPER SHAFT	80	395526-29	PRESSER FOOT HOLDER
12	395628-42	WORM GEAR 2005/2007	81	395236-00	ZZ PRESSER FOOT
12a	395630-15	WORM GEAR 2003	82	395625-59	SCREW
13	395621-00	SET SCREW	83	395623-79	HINGED SCREW
14	395620-99	COLLAR	84	395628-72	RELEASE THREAD BAR
15	395623-73	SELECT CAM COMP	85	395628-73	PRESSURE SHAFT
16	395623-72	REAR BUSHING BRACKET	86	395628-74	PRESSURE SHAFT PLATE
17	395621-05	HAND WHEEL BUSHING	87	395623-80	PRESSER BAR LIFTER
18	395620-43	SPRING PIN 3 X 18			
19	395621-06	SET SCREW			
20	395621-07	BELT RING			
21	395621-08	GEAR TRANSMITTING PLATE			
22	395628-43	HANDWHEEL			
23	395621-10	TRANSMITING PIN			
24	395621-11	SPRING			
25	395621-12	WHEEL TRANS. RING			
26	395620-47	SET SCREW			
27	395621-14	SET SCREW			
28	395628-44	HANDWHEEL COVER			
29	395628-45	TAKE-UP LEVER COMP			
30	395623-33	SET SCREW			
31	395621-13	INDEX SPRING PLATE			
32	395621-21	SNAP RING 4D			
33	395628-46	F.R. SELECTING ROD			
34	395628-47	Z/Z MECH. UNIT			
35	395628-48	SPRING			
36	395628-49	Z/Z CRANK SHAFT			
37	395628-50	SPRING			
38	395628-51	FR SELECTING ROD			
39	395628-52	F.R ADJUST PLATE			
40	395627-38	SCREW			
41	395628-53	2.5D E RING			
42	395627-54	FR CONNECTING ROD			
43	395627-13	SCREW			
44	395628-55	Z/Z CONNECTING SHAFT			
45	395628-56	NEEDLE BAR PLATE			
46	395621-23	SNAP RING 5D			
47	395620-12	SET SCREW			
48	395628-57	NEEDLE BAR SUPP. SHAFT			
49	395628-58	COLLAR			
50	395627-65	SPRING			
51	395620-20	WASHER			
52	395628-59	ADJUST PIN			
53	395621-17	NEEDLE HOLDER			
54	395628-60	NEEDLE THREADER			
55	395627-67	THREADING POSITIONER			
56	395627-68	SPRING			
57	395627-69	PIN			
58	395628-61	NEEDLE BAR SUPPORT			
59	395627-71	SPRING PIN			
60	395621-25	SPRING			
61	395627-72	THREADING GUIDE COMP			
62	395628-62	NEEDLE BAR			
63	395623-15	NEEDLE CLAMP COMP			
65	395628-63	"FR" MOVED SHAFT			
66	395628-64	SPRING			
67	395628-65	THREADER BAR			
68	395628-66	E/H LEVER ROD			
69	395628-67	BH OPERATING STICKER			



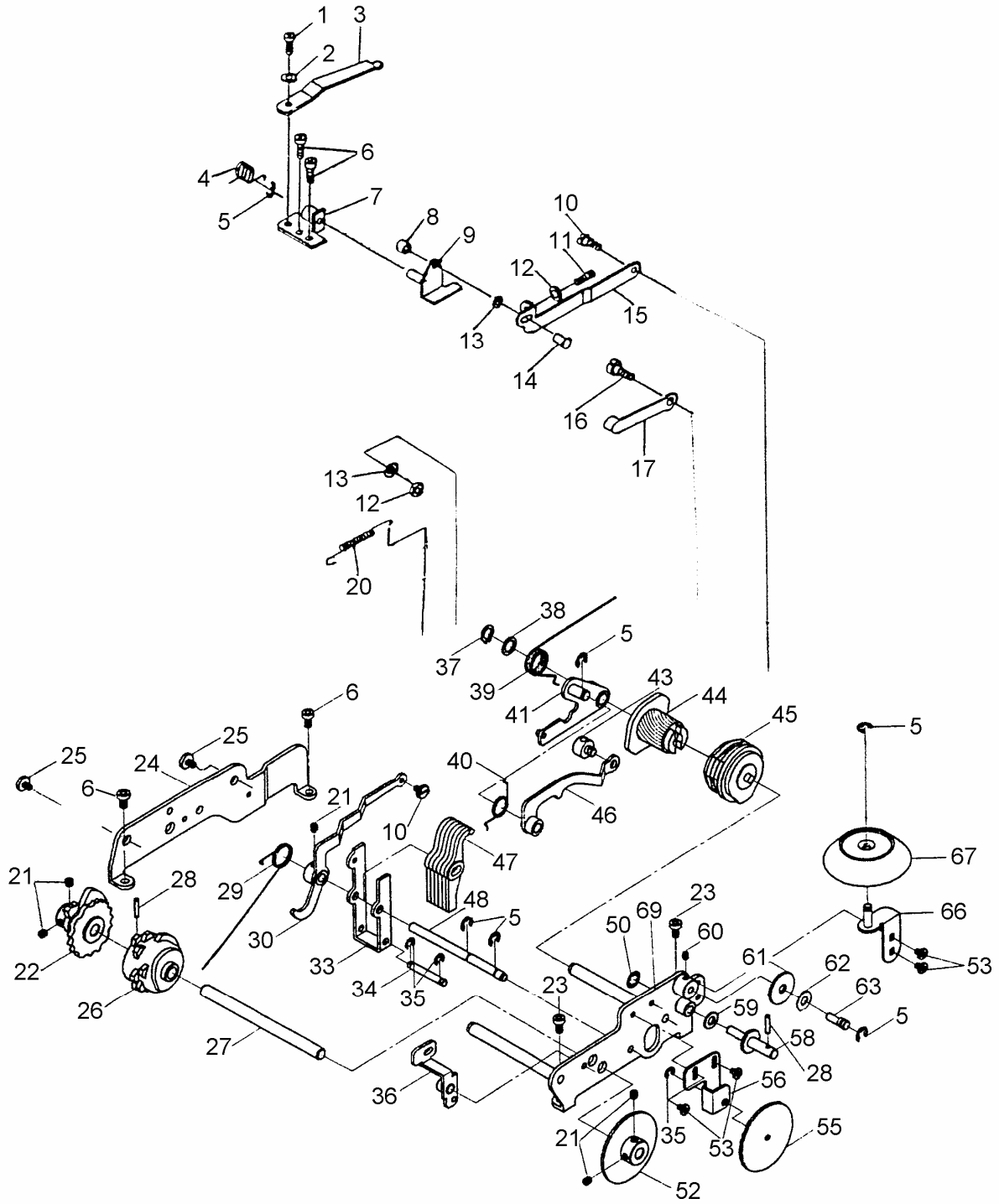
01	395621-23	SNAP RING 5D	68	395627-79	SANP PING 4D
02	395626-39	FORKED WASHER	69	395629-13	TENSION ADJUST PLATE
03	395628-75	PRESSURE CAM	70	395629-14	TENSION SPRING
04	395628-76	PRESS. INDICATION LABEL	71	395629-15	SPRING PLATE
05	395628-77	LIGHT CORD 230V	72	395629-16	TENSION RELEASEW
05a	395630-54	LIGHT CORD 120V	73	395629-17	TENSION PLATE
06	395627-31	LIGHT BULB 230V	74	395629-18	TENSION PLATE
06a	395630-55	LIGHT BULB 120V			
07	395620-21	SET SCREW			
08	395621-43	WAVE WASHER			
09	395625-31	SCREW			
10	395625-42	WASHER			
11	395628-78	CORD FIXING PLATE			
12	395627-38	SCREW			
13	395628-79	B/H SPRING			
14	395628-80	CORD FIXED PLATE			
15	395628-81	PRESSER ADJUSTING PLATE			
16	395628-82	PRESSER ADJ. PLATE SHAFT			
17	395621-21	SNAP RING 4D			
18	395628-83	PRESSURE PLATE			
19	395628-84	PIN			
20	395628-85	TENSION FIXED PLATE			
21	395628-86	CONNECTING PIN			
22	395628-87	FEED CONNECTING ROD			
23	395628-88	REVERSE SPRING			
24	395628-89	"R" BUTTON LEVER B			
25	395628-90	HINGED SCREW 6 2.1			
26	395628-91	"R" BUTTON SHAFT			
27	395622-03	SPRING PIN 2"14			
28	395628-92	"R" BUTTON			
29	395622-98	NUT			
30	395628-93	WASHER			
31	395622-14	WASHER			
32	395628-94	"O" ADJUSTING CRANK			
33	395628-95	Z/Z PLATE			
34	395628-96	"O" ADJUSTING PIN			
35	395628-97	WASHER			
36	395625-58	WAVE WASHER			
37	395628-98	WASHER			
38	395628-99	HINGED SCREW			
39	395625-39	SNAP PING 5D			
40	395628-98	WASHER			
41	395620-45	NUT			
42	395625-25	SCREW			
43	395623-55	SET SCREW			
44	395629-00	Z/Z ADJUST PLATE			
45	395625-86	SCREW			
46	395625-42	WASHER			
47	395629-01	TENSION DIAL			
48	395625-31	SCREW			
49	395629-02	TENSION ADJUST SHAFT			
50	395629-03	RELEASE THREAD BAR B			
51	395629-04	SPRING			
52	395628-70	SPRING PIN			
53	395629-05	ADJUST SHAFT PLATED			
54	395629-06	TENSION SUPP. PLATE			
55	395629-07	THREAD GUIDE SPRING			
56	395625-12	SET SCREW			
57	395629-08	SPRING ADJUSTING PLATE			
58	395623-55	SET SCREW			
59	395629-09	TAKE-UP THREAD SPRING			
60	395627-38	SCREW			
61	395629-10	RELEASE THREAD BAR A			
62	395625-31	SCREW			
63	395629-11	TENSION SUPPORTED			
64	395622-03	SPRING PIN 2x14			
65	395628-84	PIN			
66	395629-12	TENSION SUPP. PLATE			
67	395625-31	SCREW			



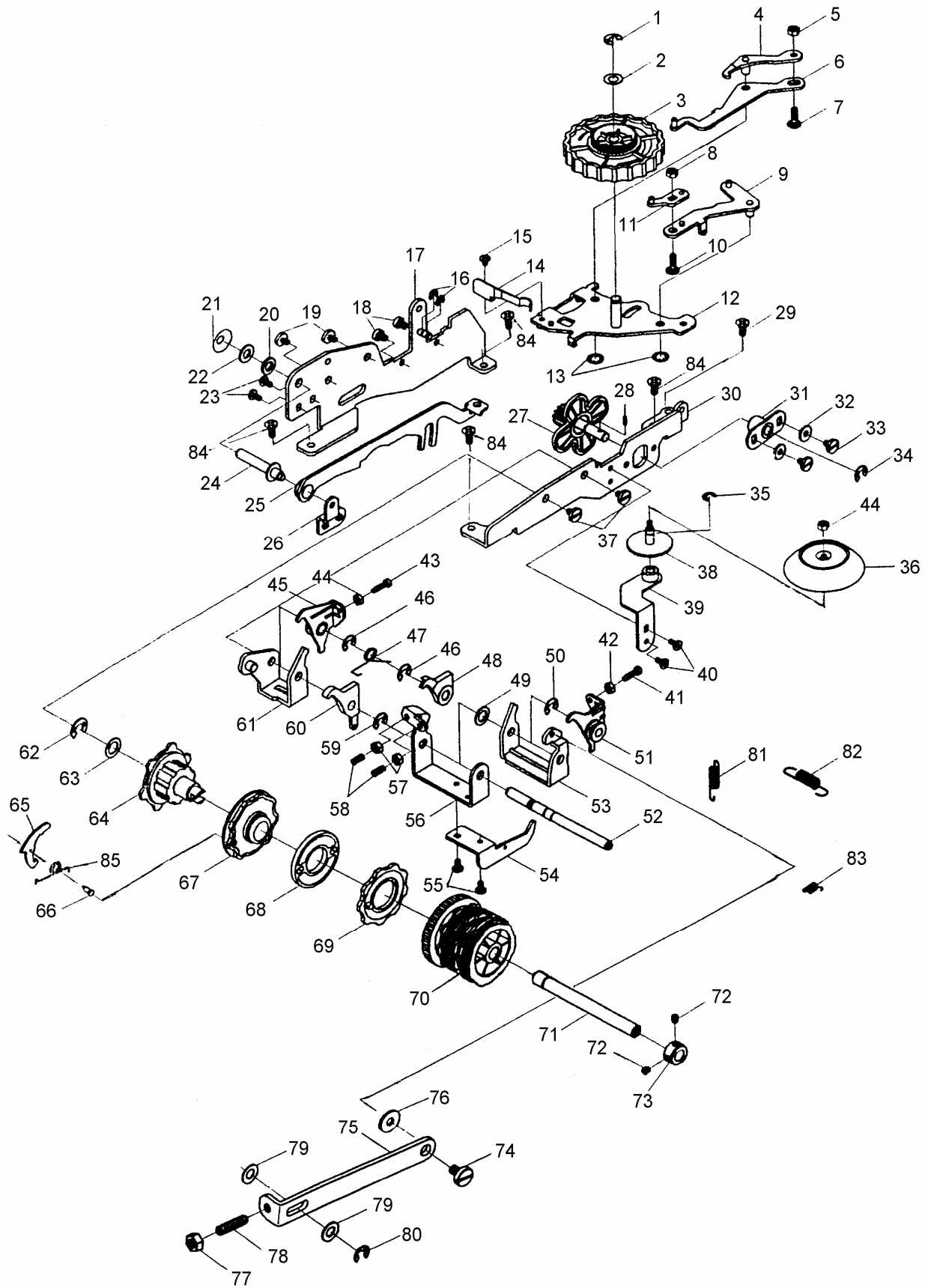
01	395629-19	"S" RING
02	395629-20	WASHER
03	395629-21	SPRING
04	395629-22	S, S. ADJUST PIN
05	395625-16	NUT
06	395629-23	S. S. PLATE
07	395629-24	ADJUST SPRING
08	395629-25	ADJUST SCREW
09	395625-16	NUT
10	395629-26	ADJUST PLATE
11	395629-27	LENGTH DIAL
12	395621-54	FEED REG. SHAFT
13	395629-28	LEVER SPRING
14	395629-29	WASHER
15	395629-30	ADJUST PLATE
16	395629-31	WASHER
17	395626-54	SET SCREW
18	395620-95	SET SCREW
19	395621-00	SET SCREW
20	395629-32	COLLAR
21	395629-33	SET SCREW
22	395629-34	SUPPORT PLATE
23	395625-31	SCREW
24	395621-23	SNAP RING 5D
25	395629-35	SUPPORT RING
26	395629-36	STITCH STICKER
27	395620-21	SET SCREW
28	395625-22	SANP RING 6D
29	395629-37	WASHER 6.1X 12 t=1.0
30	395629-38	WAVE WASHER
31	395629-39	STITCH LENGTH PLATE
32	395629-40	STITCH CAN
33	395629-41	SPRING
34	395621-21	SNAP RING 4D
35	395629-42	FEED CONNECTING ROD
36	395629-43	FEED DRIVING ROD
37	395627-79	SANP PING 4D
38	395629-44	STITCH LENGTH WHEEL
39	395629-45	STITCH SUPPORT PLATE
40	395628-31	SELECT/STITCH DIAL
41	395629-47	STITCH LENGTH SHAFT
42	395629-48	SPRING PIN 2X12
43	395627-13	SCREW
44	395629-49	GEAR A
45	395621-83	TIMING BELT (200XL6MM)
46	395629-50	MOTOR COMP. 230V
46a	395630-56	MOTOR COMP. 120V
47	395622-03	SPRING PIN 2X14
48	395622-02	MOTOR CLUTH
49	395622-01	MOTOR PULLEY COMP
50	395622-00	SNAP RING 3D
51	395629-51	MOTOR BRACKET
52	395623-92	SPRING WASHER
53	395620-42	SET SCREW
54	395621-44	SET SCREW
55	395629-52	RECEPTACLE PLATE
56	395625-31	SCREW
57	395629-53	SOCKET BASE
58	395627-46	SWITCH COMP. 230V
58a	395630-57	SWITCH COMP. 120V
59	395621-88	BAND



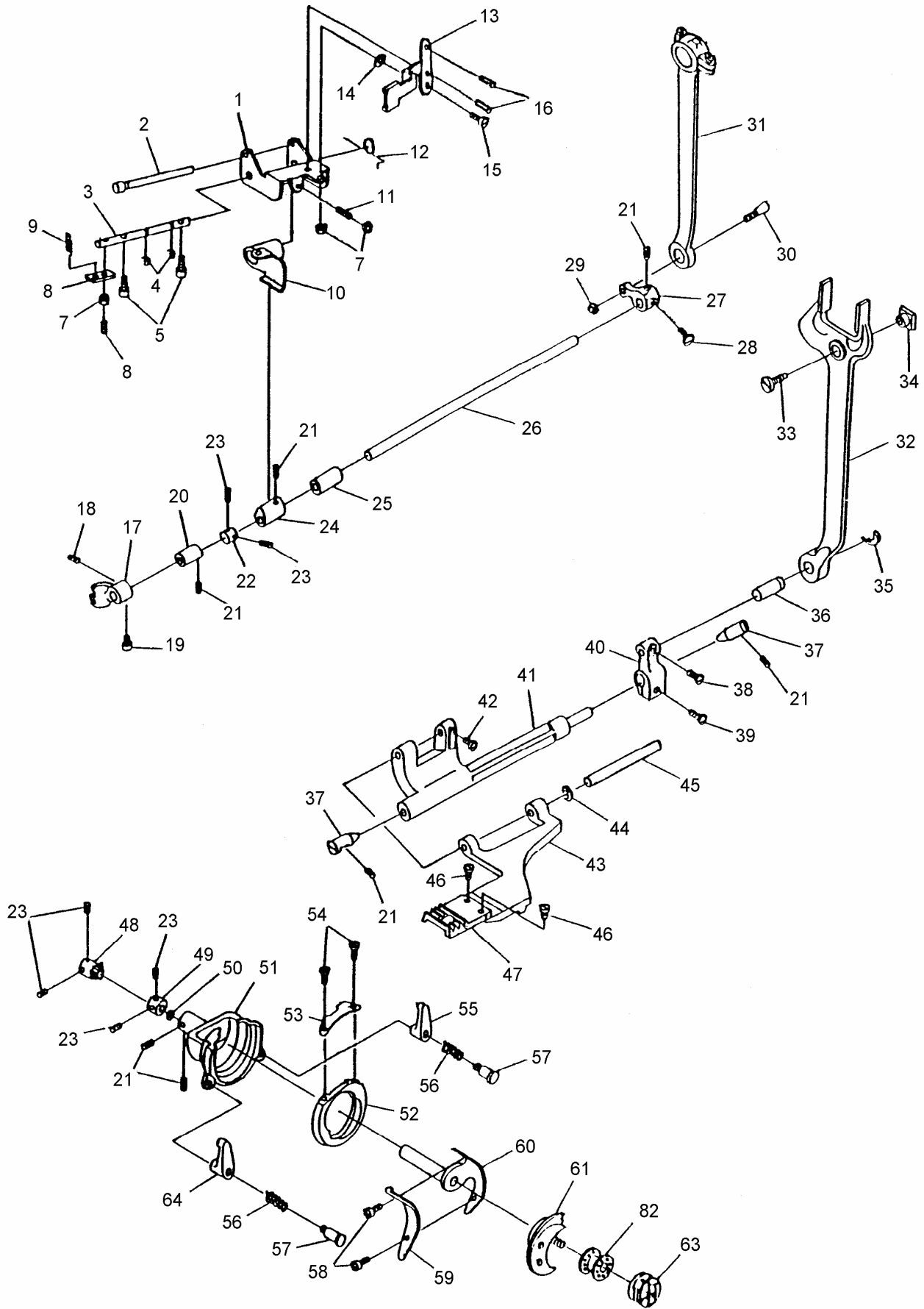
01	395630-19	NUT
02	395620-45	NUT
03	395621-60	STITCH ROD
04	395621-55	SPRING
05	200081109	ADJUSTER
07	000000505	SNAP RING 9D
08	270022001	ADJUSTING PLATE
09	301154002	HINGED SCREW
11	311046000	SET SCREW
12	301289007	SET SCREW
13	303003001	SPRING
14	301087003	SET SCREW
15	301153104	COLLAR
16	301046000	SET SCREW
17	351047006	BAND
18	650804005	SWITCH COMP
19	280149109	SOCKET BASE
20	000016010	SCREW
21	301279004	SET SCREW
22	280072007	SUPPORT PLATE
24	000000309	SNAP RING 5D
25	280073008	SUPPORT RING
26	280160003	STITCH LENGTH STICKER
27	301008000	SET SCREW
28	000012304	SANP PING 6D
29	370051002	WASHER 6.1x12 =1.0
30	250131002	WAVE WASHER
31	270020102	STITCH SUPPORTER PLATE
32	280175001	STITCH CAM
33	270032004	SPRING
34	000000206	SNAP RING 4D
35	270027006	FEED CONNECTING ROD
36	270021000	FEED DRIVING ROD
37	000012201	SANP PING 4D
38	280140007	STITCH LENGTH WHEEL
39	280141008	STITCH SUPPORT PLATE
40	280075000	SELECT/STITCH DIAL
41	280005009	STITCH LENGTH DIAL SHAFT
42	000003601	SPRING PIN 2x12
43	255004000	SCREW
44	280006000	GEAR A
45	301285003	BELT (200XL6MM)
46	650818002	MOTOR COMP
47	000003807	SPRING PIN 2x14
48	301294005	MOTOR CLUTH
49	301530006	MOTOR PULLEY COMP
50	000000103	SNAP RING 3D
51	280147004	MOTOR BRACKET
52	450063008	SPRING WASHER
53	301143008	SET SCREW
54	301234007	SET SCREW
55	280142009	RECEPTACLE PLATE



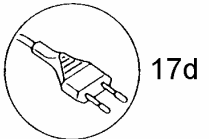
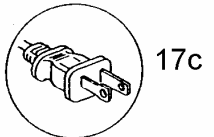
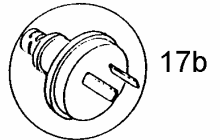
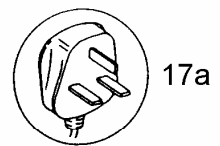
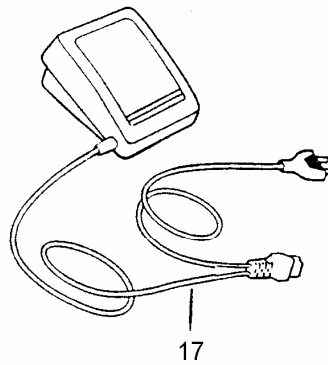
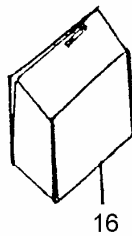
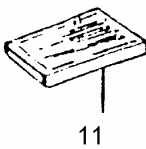
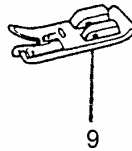
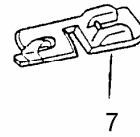
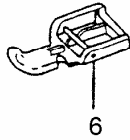
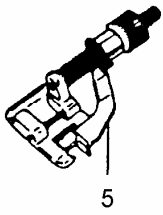
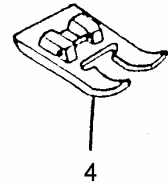
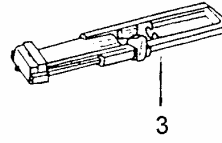
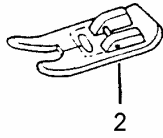
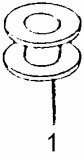
01	356017002	SET SCREW
02	301009001	WASHER
03	356006101	SELEC. INDEX SPRING PLATE
04	301215002	SPRING
05	000000206	SNAP RING 4D
06	301008000	SET SCREW
07	250012006	ZIGAG MECHANISM
08	301213000	SLIDE BLOCK
09	354004000	CONNECTING CRANK
10	301218005	HINGED SCREW
11	301196006	SET SCREW
12	395620-45	NUT
13	301245001	WASHER
14	301212009	RIVETING PIN
15	303005003	ZIGZAG CONNECTING ROD
16	355010002	HINGED SCREW
17	356602000	ZERO ADJUSTING CRANK
20	250042005	ZIGZAG DRIVING SPRING
21	301046000	SET SCREW
22	360026007	STITCH SELECTOR CAM
24	360020207	ZIGZAG MECHANISM COMP
25	301233006	SET SCREW
26	360025006	SELECT CAM
27	280102007	SELECT CAM SHAFT
28	000003601	SPRING PIN 2X12
29	360023004	SPRING
30	360022003	CONNECTING PLATE
33	303014005	FOLLOWER CAM BRACKET
34	303016007	FOLLOWER CAM SHAFT
35	000000103	SNAP RING 3D
36	356002004	ZIGZAG CONNECTING CRANK
37	000006408	SNAP RING 7D
38	301050007	WASHER
39	303011002	S/S SELECT. CRANK SPRING
40	303012003	S/S FEEDING CRANK SPRING
41	303009007	SELECT CRANK
43	303030007	STITCH ROD ROLLER
44	303008006	STRETCH STITCH CAM
45	303007005	PATTERN CAN
46	303010001	CONNECTING CRANK
47	303013004	CONNECTOR
48	360021002	SHAFT
50	000012315	SNAP PING 5D
52	280103008	SELECT GEAR
53	000016009	SCREW
55	280115003	GEAR
56	280170006	GEAR SUPPORTED PLATE
58	280106001	SELECT SHAFT
59	000014384	WASHER
60	255004000	SCREW
61	280104009	GEAR
62	000014281	WASHER
63	301045009	ECCENTRIC PIN
65	000016009	SCREW
66	280105000	GEAR SUPPORTER PLATE
67	280169208	STITCH ROTARY
69	280101006	PATTERN CAM FRAME



01	395621-23	SNAP RING 5D	68	395629-95	BH CAM OPERATING PLATE
02	395625-79	WASHER #	69	395629-96	E/H CAM "B"
03a	395629-54	SELECT CAM	70	395629-97	PATTERN CAM
03b	395629-55	SELECT CAM	71	395629-98	PATTERN CAM SHAFT
04	395629-56	SELECTOR PLATE	72	395621-00	SET SCREW
05	395620-45	NUT	73	395626-21	COLLAR
06	395629-57	SELECTOR CRANK	74	395629-99	SET SCREW
07	395629-58	PIN	75	395630-00	Z/Z SHAFT
08	395620-45	NUT	76	395628-97	WASHER
09	395629-59	SELECTOR CRANK	77	395620-45	NUT
10	395629-58	PIN	78	395622-23	SET SCREW
11	395629-60	SELECTOR PLATE	79	395620-20	WASHER
12	395629-61	SELECT SUPPORTED PLATE	80	395622-00	SNAP RING 3D
13	395625-39	SNAP RING 5D	81	395630-02	SPRING
14	395629-62	SPRING	82	395630-03	SPRING (A)
15	395627-38	SCREW	83	395630-04	SPRING
16	395622-00	SNAP RING 3D	84	395620-21	SET SCREW
17	395629-63	Stitch MECHANISM (REAR) COMP	85	395630-05	B/H CLUTCH SPRING
18	395620-38	SET SCREW			
19	395629-64	SET SCREW			
20	395629-38	WAVE WASHER			
21	395629-65	SL-RINGE			
22	395629-37	WASHER 6.1x12 t=1.0			
23	395629-66	SCREW			
24	395629-67	S. S ADJUST PIN			
25	395629-68	S. S. CONNECTING ROD			
26	395629-69	S. S ADJUST PLATE			
27	395629-70	SELECT GEAR			
28	395622-03	SPRING PIN 2x14			
29	395623-12	SET SCREW			
30	395629-71	PATTERN MECHANISM			
31	395629-72	SELECT SUPPORTED PLATE			
32	395628-97	WASHER			
33	395629-64	SET SCREW			
34	395621-23	SNAP RING 5D			
35	395621-21	SNAP RING 4D			
36a	395629-73	STITCH ROTARY			
36b	395629-74	STITCH ROTARY			
37	395629-64	SET SCREW			
38	395629-75	STITCH ROTARY GEAR			
39	395629-76	STITCH ROTARY SUPP. PLATE B			
40	395625-31	SCREW			
41	395629-77	SET SCREW			
42	395626-29	NUT			
43	395629-77	SET SCREW			
44	395626-29	NUT			
45	395629-78	CAM FOLLOWER			
46	395621-23	SNAP RING 5D			
47	395629-79	SPRING			
48	395629-80	B/H FOLLOWER			
49	395629-81	WASHER 7.3x12 t= 1.0			
50	395621-23	SNAP RING 5D			
51	395629-82	Z/Z FINGER			
52	395629-83	SHAFT			
53	395629-84	Z/Z FRAME			
54	395629-85	OPEN FLOWER			
55	395625-31	SCREW			
56	395629-86	OPEN FRAME			
57	395620-45	NUT			
58	395629-87	SET SCREW			
59	395621-23	SNAP RING 5D			
60	395629-88	B/H SHAFT			
61	395629-89	FRAME			
62	395625-15	SNAP RING			
63	395629-90	WASHER			
64	395629-91	SS CAM			
65	395629-92	B/H SUPPORTING PLATE			
66	395629-93	CONNECTING PIN			
67	395629-94	B/H CAM "A"			



01	395622-59	DROP FEED CRANK BODY
02	395622-61	DROP FEED ADJ. SHAFT
03	395624-00	DROP FEED SHAFT
04	395621-23	SNAP RING 5D
05	395624-01	SET SCREW
06	395622-23	SET SCREW
07	395620-45	NUT
08	395622-63	SPRING HOLDER
09	395622-64	FEED DOG BASE SPRING
10	395622-60	DROP FEED STOPP. PLATE
11	395622-58	SET SCREW
12	395622-57	SPRING
13	395622-02	DROP FEED DRIVING ROD
14	395622-56	WAVE WASHER
15	395622-54	HINGED SCREW
16	395622-52	SPRING PIN 2.5x8
17	395630-06	OSCILLATING SHAFT GEAR
18	395622-50	SET SCREW
19	395622-49	SET SCREW
20	395622-45	LOWER SHAFT BUSHING
21	395620-95	SET SCREW
22	395630-07	COLLAR
23	395621-00	SET SCREW
24	395622-46	FEED LIFTING CAM
25	395622-48	LOWER SHAFT BUSHING
26	395622-44	LOWER SHAFT
27	395630-08	LOWER SHAFT BRACKET
28	395622-42	SET SCREW
29	395622-40	TAPER SCEW
30	395622-40	TAPER SCEW
31	395622-41	CRANK ROD COMP
32	395623-37	FORKED ROD
33	395622-39	SET SCREW
34	395622-38	FORKED ROD SLIDE BLOCK
35	395622-36	SNAP RING 6D
36	395630-09	CONNECTING PIN
37	395622-24	CENTER PIN
38	395622-31	SET SCREW
39	395622-32	SET SCREW
40	395630-10	FEED ROCK SHSFT CRANK
41	395622-30	FEED ROCK SHAFT
42	395624-03	SET SCREW
43	395622-27	FEED DOG BASE
44	395621-21	SNAP RING 4D
45	395622-28	FEED DOG BASE SHAFT
46	395622-26	SET SCREW
47	395622-25	FEED DOG
48	395630-11	BEVEL GEAR
49	395622-67	COLLAR
50	395622-68	NYLON WASHER
51	395622-69	HOOK RACE BADY
52	395624-04	HOOK YACE RING
53	395624-05	COP SPRING
54	395622-75	SET SCREW
55	395622-71	CLASP (RIGHT)
56	395622-72	CLASP SPRING
57	395622-73	HINGED SCREW
58	395622-79	SET SCREW
59	395622-78	HOOK DRIVER SPRING
60	395630-12	HOOK DRIVER BODY
61	395630-13	HOOKPANEL
62	395120-00	BOBBIN
63	395520-25	BOBBIN CASE
64	395622-70	CLASP (LEFT)
65	395629-90	WASHER



01	395626-04	BOBBIN
02	395236-00	Z/Z PRESSER FOOT
03a	395631-00	BUTTONHOLE FOOT 2005 / 2007
03b	395273-00	BUTTONHOLE FOOT 2003
04	395622-82	SATIN STITCH FOOT
05	395285-02	BLIND HEM FOOT
06	395285-01	ZIPPER FOOT
07	395123-04	HEMMER FOOT
08	395276-01	EMBROIDERY FOOT
09	395631-01	OVERLOCK FOOT
10	395622-81	SEAM GUIDE
11	427151-20	NEEDLE BOX COMP
12	395631-02	BUTTONHOLE KNIFE
13	395049-43	OIL KETTLE
14	395622-80	SCREW DRIVER (L)
15	395610-22	INSTRUCTION MANUAL GB.
15	395610-21	INSTRUCTION MANUAL D.
15	395610-27	INSTRUCTION MANUAL F.
15	395610-24	INSTRUCTION MANUAL E.
15	395610-29	INSTRUCTION MANUAL NL.
15	395610-31	INSTRUCTION MANUAL I.
15	395610-41	INSTRUCTION MANUAL NECCHI
16a	395631-03	DUST COVER 2005 / 2007
16b	395631-04	DUST COVER 2003
17a	395630-14	FOOT CONTROLLER COMP. UK/SINGAPORE
17b	395630-52	FOOT CONTROLLER COMP. AUSTRALIA
17c	395630-53	FOOT CONTROLLER COMP. USA/CANADA
17d	395630-59	FOOT CONTROLLER COMP EUROPE/SOUTH AFRICA
18	395631-05	ACCESSORY KIT 2005 / 2007
18a	395631-06	ACCESSORY KIT 2003
	395630-60	CARTON BOX (not illustrated)
	395630-61	STYROFOAMS (not illustrated)